



# Technical Bulletin

*Place a copy of this bulletin in the front of each Blueprints Manual.  
Redline drawings as needed and include a TB reference note.  
Reference TB implementation on site Action Item Box-chart and/or  
site tool history management log.*

**Number:** 052  
**Date Issued:** 12/04/05  
**Expiration Date:** 12/04/06

<b>Subject/Key Words:</b>	Lucid2 Hot N2 Line			
<b>Classification:</b>	<input checked="" type="checkbox"/> Informational	<input type="checkbox"/> Mandatory	<input type="checkbox"/> Safety Alert	<input type="checkbox"/> PM Impact
	<input type="checkbox"/> Warranty Impact	<input checked="" type="checkbox"/> Purchase Parts	<input type="checkbox"/> No Charge For Parts expires ___/___/___. Reference this TB# when ordering NC parts.	
<b>Applicable Akrion Procedures:</b>	N/A			
<b>Parts/Reference Documents:</b>	Drawings: Series 3 tank - 216466 Rev G; 300mm tank - 216487 Rev E FTG006500 ½” Flareloc II nuts (Qty 2) TUB001014 ½” Tubing (Qty – 6 feet) HDW006686 ½” Grooving tool			
<b>Attachments:</b>	Drawings: Series 3 tank - 216466 Rev G; 300mm tank - 216487 Rev E			

**Issue:** The hot N2 line on LuCID2 Dryers may de-flare over time due to heat.

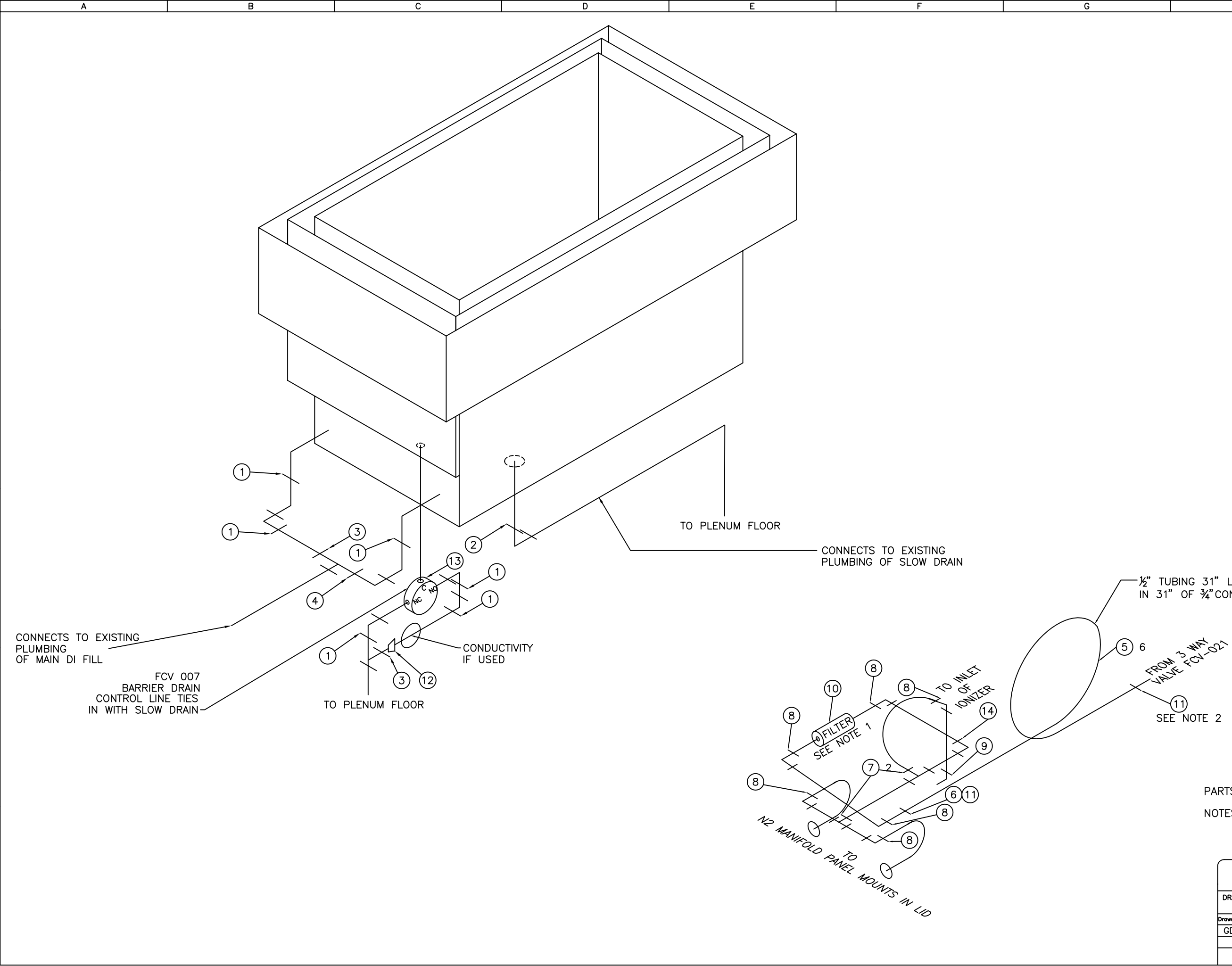
**Symptoms:** Hot N2 leaks; Improperly dried wafers/carriers.

**Test/Validate:** Inspect the hot N2 line and connections for signs of de-flaring. Use drawing 216466 Rev G for Series 3 tanks and drawing 216487 Rev E for 300mm tanks. Reference bubble # 11 and note 2 for Flareloc II nuts, and bubble # 5 for tubing.

**Solution:** To repair/prevent issues in the field, Akrion recommends replacing existing hot N2 lines with lines equipped with Flareloc II fittings. If a ½” grooving tool is unavailable, please order one along with the associated parts. See **Parts/Reference Documents** listed above for part numbers.  
As part of Akrion’s CIP program, all LuCID2 dryers are now being shipped with Flareloc II fittings on the hot N2 line.

If you have technical questions or require more information, please contact Akrion Technical Support Department via e-mail at [techsupport@akrion.com](mailto:techsupport@akrion.com). Authorized service personnel can obtain copies of the latest Akrion procedures and controlled documents from the Akrion Document Control department at [doccontrol@akrion.com](mailto:doccontrol@akrion.com). Customers must direct all inquires to their local Akrion field service representative. (Form QA1656F1AC)

REV	DESCRIPTION	DATE	REV BY	MEPL	EEP
A	INIT REL ERN #5437	1/23/03	GDF		
B	SEE ECO #9836	04/09/03	KG		
C	SEE ECO #10002	08/04/03	KG	GDF	
D	SEE ECO #10100	12/04/03	GDF		
E	SEE ECO #10199	01/30/04	GDF		
F	SEE ECO #10371	06/30/04	GDF	HEB	
G	SEE ECO #11409	11/11/07	LMM	GDF	



PARTS: SEE BOM FOR PARTS LIST

NOTES: 1. REMOVE LABEL FROM FILTER AND DISCARD.  
2. INSTALL FLARELOK II NUTS ON EACH END.

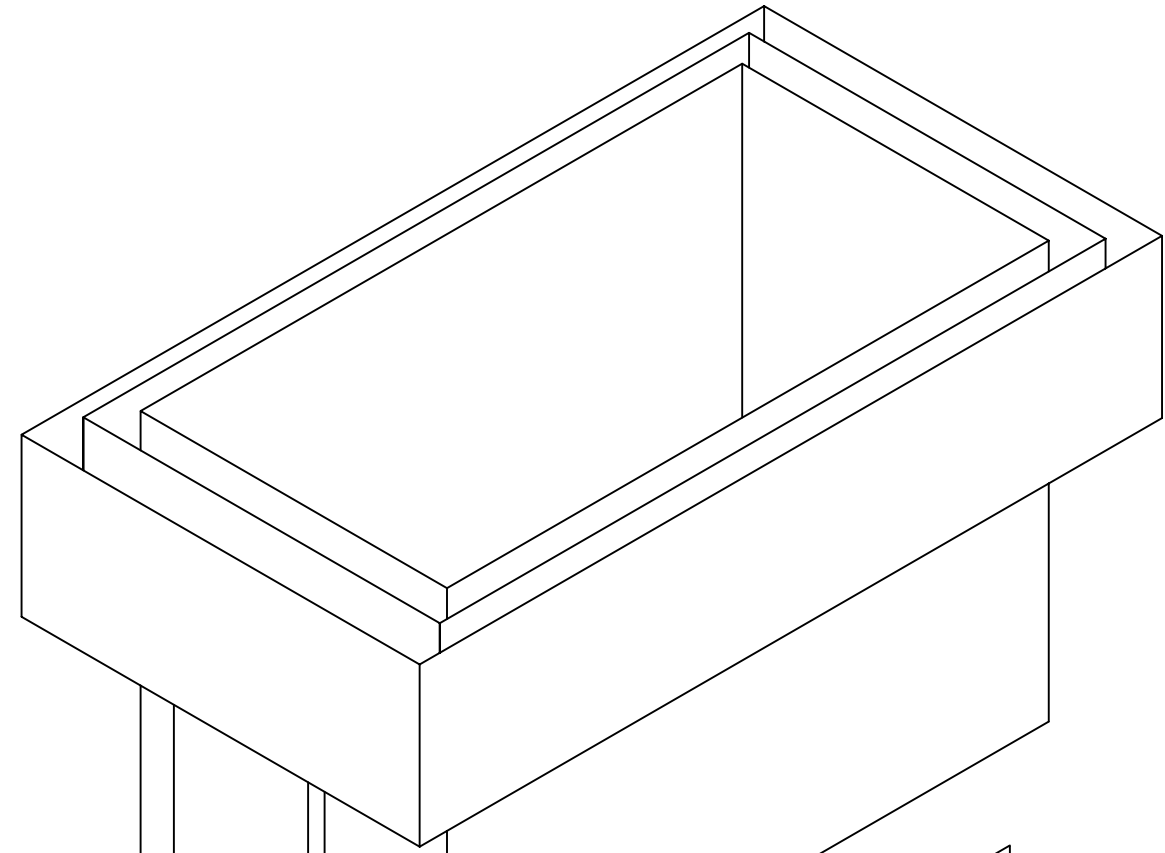
6330 Hedgewood Drive, #150  
Allentown, PA 18106  
www.akrion.com

**AKRION**

DRAWING TITLE: KIT FL TK PLMB LUCID 2 SER 3

Drawn By: GDF	Chk By: *	App By: *		SCALE: NTS
				DRAFT: G
NOTE: Not for use or disclosure without written consent from Akrion			SHEET: 1 OF 1	DWG NO. 216466

REV	DESCRIPTION	DATE	REV BY	MEPL	EEPEN
A	INIT REL ERN #5796	08/05/03	GDF		
B	SEE ECO #10100	12/04/03	GDF		
C	SEE ECO #10199	02/04/04	GDF		
D	SEE ECO #11019	02/18/05	GDF		
E	SEE ECO #11409	11/11/05	LMM	GDF	



CONNECTS TO EXISTING PLUMBING OF MAIN DI FILL

TO PLENUM FLOOR

CONNECTS TO EXISTING PLUMBING OF SLOW DRAIN

FCV 007 BARRIER DRAIN CONTROL LINE TIES IN WITH SLOW DRAIN

TO PLENUM FLOOR

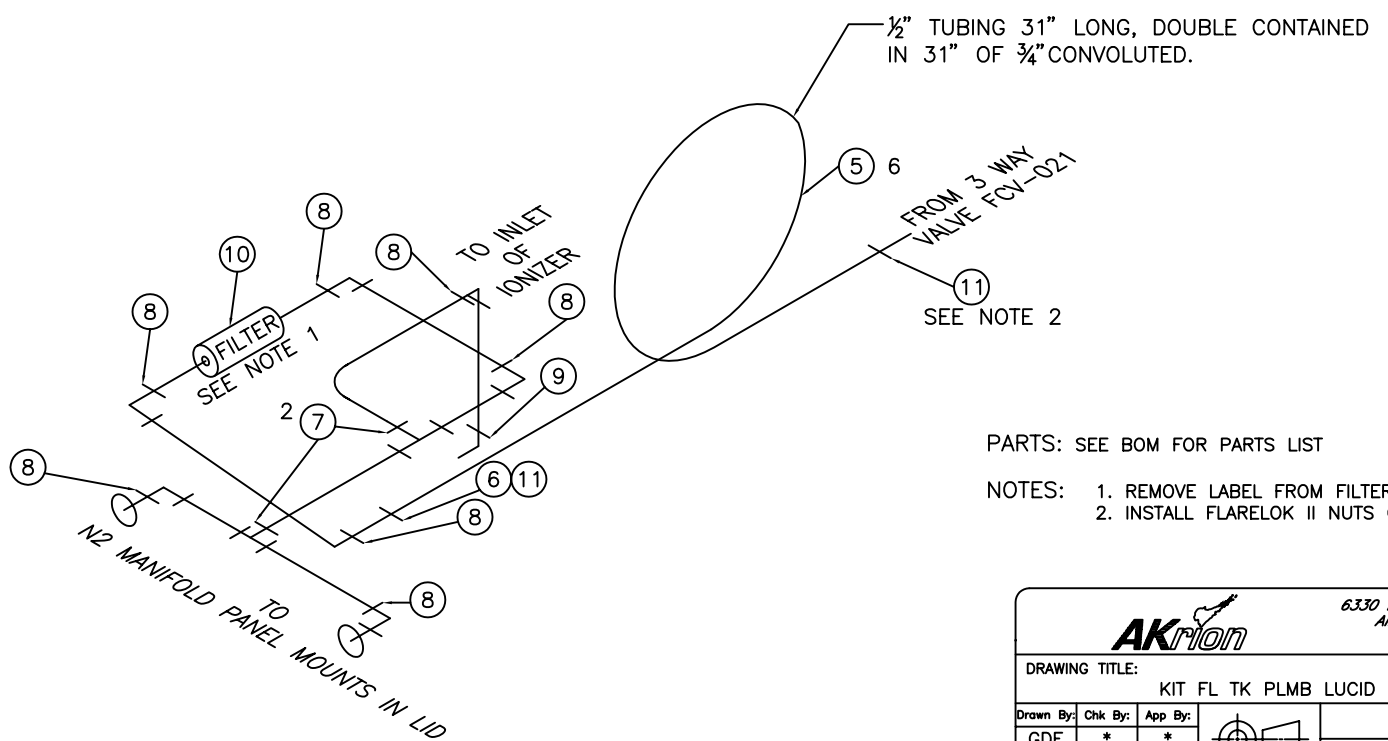
1/2" TUBING 31" LONG, DOUBLE CONTAINED IN 31" OF 3/4" CONVOLUTED.

FROM 3 WAY VALVE FCV-021

SEE NOTE 2

PARTS: SEE BOM FOR PARTS LIST

NOTES: 1. REMOVE LABEL FROM FILTER AND DISCARD.  
2. INSTALL FLARELOK II NUTS ON EACH END.



<b>AKRION</b>		6330 Hedgewood Drive, #150 Allentown, PA 18106 www.akrion.com	
DRAWING TITLE: KIT FL TK PLMB LUCID 2 300mm			
Drawn By: GDF	Chk By: *	App By: *	SCALE: NTS
			DRAFT: E
			DATE OF ISSUE: 1/23/03
NOTE: Not for use or disclosure without written consent from Akrion		SHEET: 1 OF 1	DWG NO. 216487