



# Technical Bulletin

Place a copy of this bulletin in the front of each Blueprints Manual.  
Redline drawings as needed and include a TB reference note.  
Reference TB implementation on site Action Item Box-chart and/or  
site tool history management log.

**Number:** 051  
**Date Issued:** 07/28/05  
**Expiration Date:** 12/30/05

<b>Subject/Key Words:</b>	<b>LuCID2 Rod Adjuster Inspection for Correct Tolerances</b>			
<b>Classification:</b>	<input checked="" type="checkbox"/> Informational	<input checked="" type="checkbox"/> Mandatory	<input type="checkbox"/> Safety Alert	<input type="checkbox"/> PM Impact
	<input checked="" type="checkbox"/> Warranty Impact	<input type="checkbox"/> Purchase Parts	<input checked="" type="checkbox"/> No Charge For Parts expires 12 / 30 / 05. Reference this TB# when ordering NC parts.	
<b>Applicable Akrion Procedures:</b>	OP0398: Functional Test Sheet – GAMA LuCID2 Dryer Module, Item ID: 10, Lid Operation			
<b>Parts/Reference Documents:</b>	Rod Adjuster replacement kit 227793-001			

**Issue:** The fixed end of some LuCID2 lid piston rod adjusters may be manufactured to incorrect tolerances. The hole in which the pin mounts may be too close to the end of the adjuster body. This creates a weak area prone to fatigue failures. Note the crack location in Figure 1.

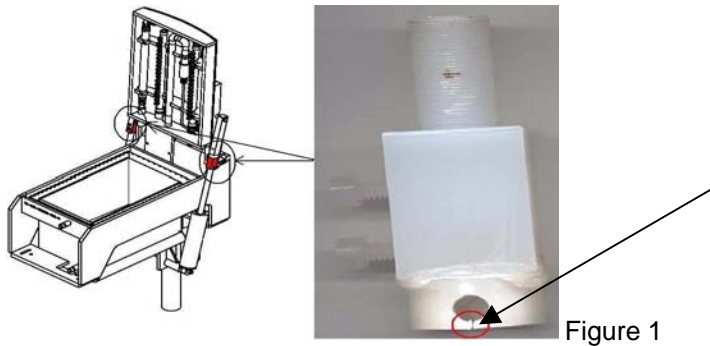


Figure 1

**Symptoms:** Fatigue failures in this area can result in irregular lid operation, potential robot crashes, and piston shaft galling.

**Solution:** Measure the distance between the end of rod adjuster and the outer edge of the hole (Figure 2). The distance should be  $.225'' \pm .030''$ . If it is less than the acceptable minimum of  $.195''$ , order a set of replacement adjusters and pins #227793-001 (one set per dryer).

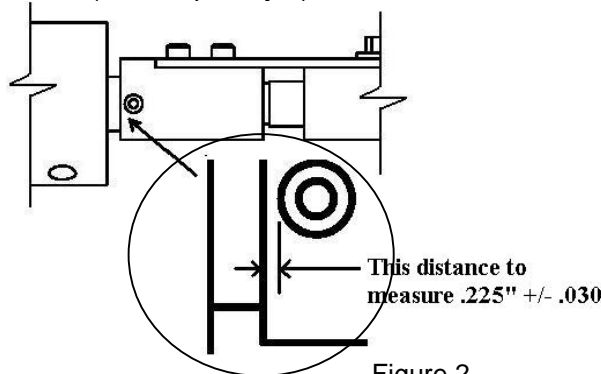


Figure 2

If you have technical questions or require more information, please contact Akrion Technical Support Department via e-mail at [techsupport@akrion.com](mailto:techsupport@akrion.com). Authorized service personnel can obtain copies of the latest Akrion procedures and controlled documents from the Akrion Document Control department at [doccontrol@akrion.com](mailto:doccontrol@akrion.com). Customers must direct all inquires to their local Akrion field service representative. (Form QA1656F1AC)