



# Technical Bulletin

Place a copy of this bulletin in the front of each Blueprints Manual.  
 Redline drawings as needed and include a TB reference note.  
 Reference TB implementation on site Action Item Box-chart and/or  
 site tool history management log.

**Number:** 029  
**Date Issued:** 09/12/03  
**Expiration Date:** 09/12/04

<b>Subject/Key Words:</b>	DMC2 robot failures: reset issues, over current, shaking or vibration			
<b>Classification:</b>	<input checked="" type="checkbox"/> Informational	<input type="checkbox"/> Mandatory	<input type="checkbox"/> Safety Alert	<input type="checkbox"/> PM Impact
	<input checked="" type="checkbox"/> Warranty Impact	<input type="checkbox"/> Purchase Parts	<input type="checkbox"/> No Charge For Parts expires ___/___/___. Reference this TB# when ordering NC parts.	
<b>Applicable Akrion Procedures:</b>	OP1610 Programming instructions for DMC2 Servo Drives ( <i>intended for factory use only</i> )			
<b>Parts/Reference Documents:</b>	Blueprints manuals and bench specific BOM or PE BOM.			
<b>Attachments:</b>	Page 2:. DMC servo motor “visual” identification M406D vs. S32.			

**Issue:** DMC2 servo drives are factory programmed for use with specific servo motor types from different manufacturer sources. Commonly named M406D or S32, the different motor types require specific DMC2 configuration programming files to match the motor type to the servo drive setup. Mixing the wrong motor types with the wrong DMC2 program type will result in undesirable robot operation and failures.

**Symptoms:** Difficult to reset DMC2, random current limiting, and unexplained shaking/vibration of the robot vertical axis.

**Test/Validate:** Use the table below to validate the motor type and matched programmed DMC2. Refer to page 2. for ‘at-a-glance’ identification of motor types.

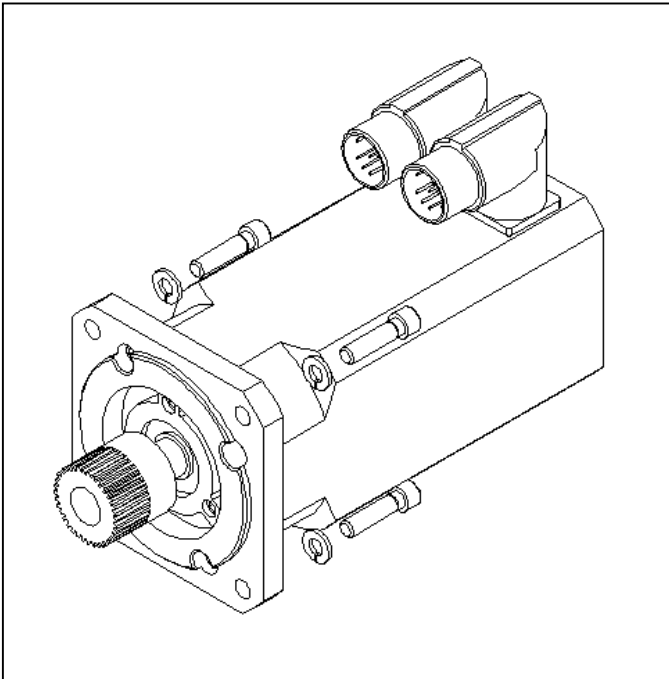
<b>M406D Applications</b>		<b>DMC2 #</b>	<b>MOTOR #</b>
GAMA	vertical	208324-002	RBT1A0011
GAMA	horizontal	208325-002	RBT1A0008
RMR	vertical	208324-003	RBT1A0011
RMR	horizontal	208325-002	RBT1A0008
<b>S32 Applications</b>		<b>DMC2 #</b>	<b>MOTOR #</b>
GAMA	vertical	208324-004	220867-001
GAMA	horizontal	208325-004	220866-001
RMR	vertical	208324-005	220867-001
RMR	horizontal	208325-004	220866-001

**Solution:** Ensure DMC2 servo drives match the motor type and visa versa. FYI – DMC1 uses only M406D motors. Review site spares inventory – update as needed.

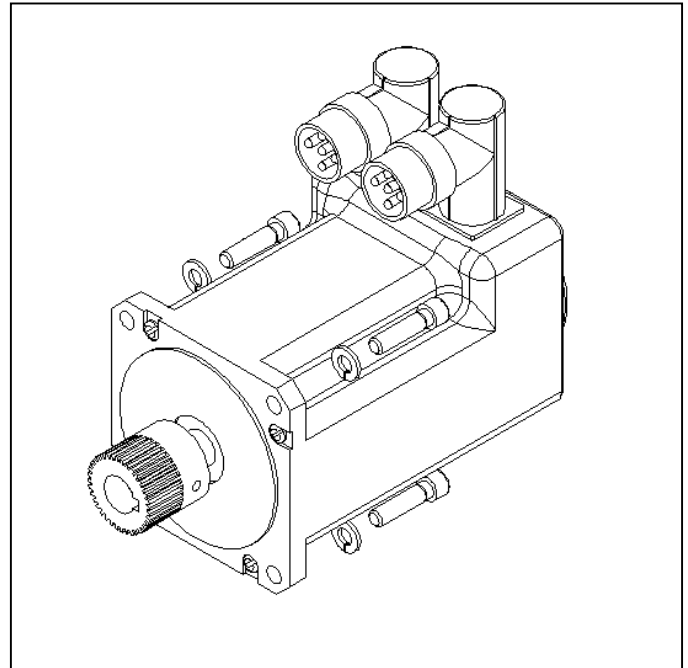
If you have technical questions or require more information, please contact Akrion Technical Support Department via e-mail at [techsupport@akrion.com](mailto:techsupport@akrion.com). Authorized service personnel can obtain copies of the latest Akrion procedures and controlled documents from the Akrion Document Control department at [doccontrol@akrion.com](mailto:doccontrol@akrion.com). Customers must direct all inquires to their local Akrion field service representative. (Form QA1656F1AC)

DMC motor identification: **M406D** vs. **S32**

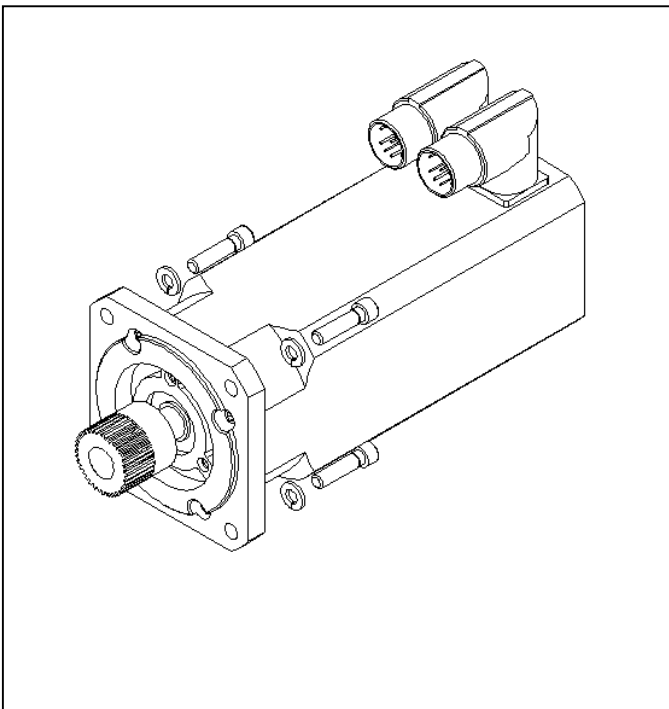
**RBT1A0008** M406D horizontal



**220866-001** S32 horizontal



**RBT1A0011** M406D vertical



**220867-001** S32 vertical

